

# SPIDER 22.10

TRACKED AERIAL WORKING PLATFORMS

EN



**PL** / **TFORM**  
B A S K E T

RAISING THE STANDARD

*Made in Italy*

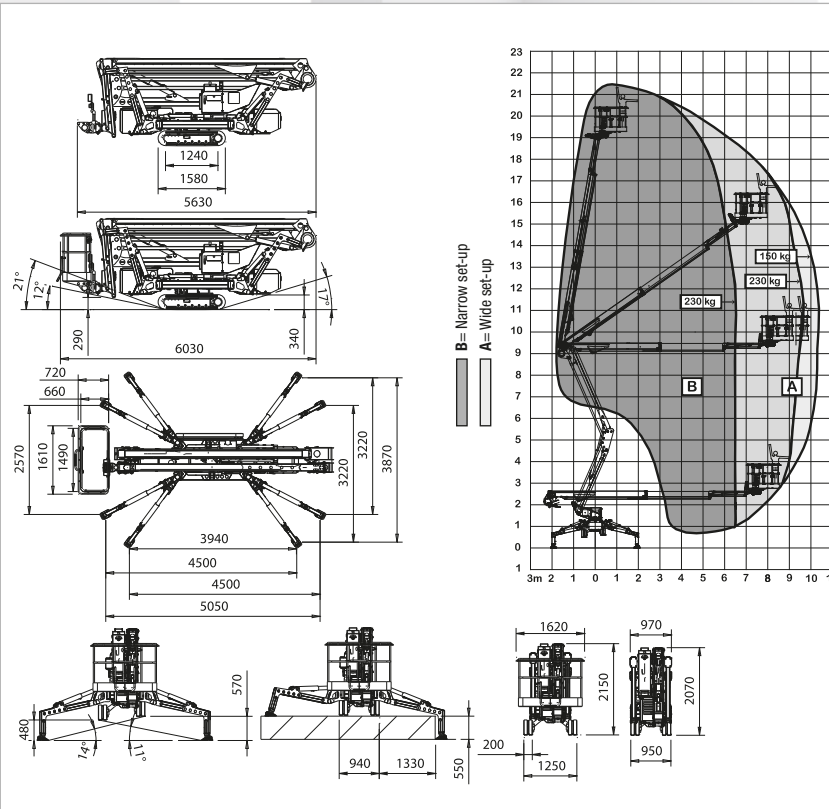


# SERIES SPIDER 22.10

**Light & high performance**

- Ultra-light and easy to transport
- 230 kg in the basket
- Electric battery or HYBRID version on request
- Easy access to every component subject to maintenance.
- Simple but precise to use.
- Equipped with radio remote control

- Triple stabilization set up and automatic outreach
- Multi-width stabilizer settings to enable machine to set up in confined spaces
- Air & Water & 220 Vac outlets into the basket
- Cage interchangeable with winch (optional)



TECHNICAL SPECIFICATIONS		STD	E	ED
Maximum working height	m		21,70	
Floor height	m		19,70	
Maximum side outreach	m		10,30	
Rotation angle of the tower	°		365	
Aluminium basket dimensions	m		1,50 x 0,70	
Basket rotation angle	°		90+90	
Maximum capacity of basket	Kg		230	
Length closed (basket disassembled)	m		5,97 (5,28)	
Minimum width closed	m		0,98	
Minimum height closed	m		2,06	
Overall dimensions	Wide		3,87 x 3,94	
Stabilization	Narrow		2,57 x 5,05	
Maximum horizontal inclination	degrees/%		16° (29%)	
Maximum side inclination	degrees/%		17° (31%)	
Maximum speed	Km/h	1,5	0,8	1,5
<b>WEIGHTS</b>		<b>STD</b>	<b>E</b>	<b>ED</b>
Weight in work conditions*	Kg	2980*	3260*	3260*
Ground pressure stowed machine	KN/m <sup>2</sup>	2,94	3,21	3,21
Ground pressure when on stabilizers	KN/m <sup>2</sup>	1,91	2,09	2,09
Max point load on one stabilizer	KN	21	23	23
<b>POWER</b>		<b>STD</b>	<b>E</b>	<b>ED</b>
Z602 Kubota diesel engine	HP/rpm	14/3600	-	14/3600
Electric motor 220 Vac	CV/KW	3 / 2,2	3 / 2,2	-
Electric Motor 24 Vdc	CV/KW	-	7,4/5,5	7,4/5,5
Traction battery capacity	24Vdc Lead Acid 24Vdc Lithium Ion	Ah	- 2x210 400	1x210 300
Battery charger	lead acid lithium ion	Ah	- 45 100/50	45 100/50

\* Subject to change depending on configuration.